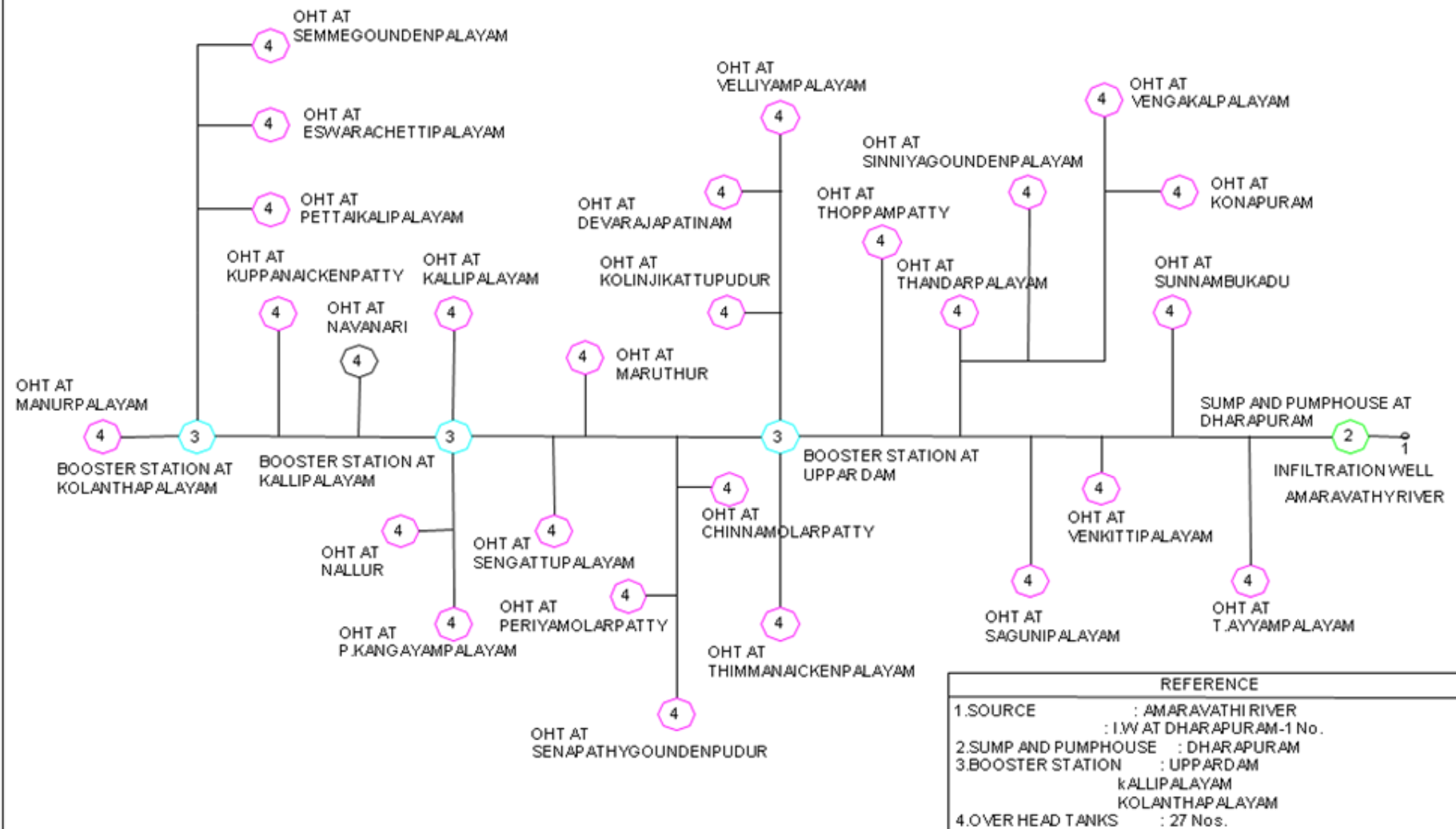


<b>SALIENT DETAILS</b>				
<b>C.W.S.S. TO SUNNAMBUKADU AND 38 OTHER HABITATIONS IN DHARAPURAM UNION AND KUNDADAM UNIONS</b>				
1	Scheme Cost		Rs 145.87Lakhs	
2	Beneficiaries	:	39 Rural Habitations	
3	Populations	:	13,600	
4	Designed Quantity		0.95 mld	
5	Head works	:	River Amaravathy	
			Infiltration Well 1 No at Dharapuram	
6	Pumpset			
a	Type		Submercible	30HP 2Nos
b	Duty		800LPM X 100M Head	
c	Hours of Pumping		16 Hours	
7	Transmission Main			
a	Pumping main		10.64km	
b	Gravity main		15.54Km	
8	Booster station		At Uppardam	At Kallipalayam At Kulanda palayam
a	Sump with capacity		4.00LL	2.00LL 0.30LL
b	Pumpset details		Submercible	Centrifugal Centrifugal
			15HP 2Nos	10HP 2Nos 4HP 2Nos
			Centrifugal	3HP 1Nos
			3HP 2Nos	1.5HP 1Nos

9	Feeder Mains:		12.81K m		3.55Km		
10	Service Reservoirs		29Nos		0.60LL -1Nos	0.10LL -14Nos	
					0.30LL -7Nos	0.05LL -4Nos	
					0.15LL -1Nos		

**FLOW DIAGRAM**  
**CWSS TO SUNNAMBUKADU AND 38 OTHER HABITATIONS**



REFERENCE	
1.SOURCE	: AMARAVATHI RIVER
	: I.W AT DHARAPURAM-1 No.
2.SUMP AND PUMPHOUSE	: DHARAPURAM
3.BOOSTER STATION	: UPPAR DAM
	KALLIPALAYAM
	KOLANTHAPALAYAM
4.OVER HEAD TANKS	: 27 Nos.