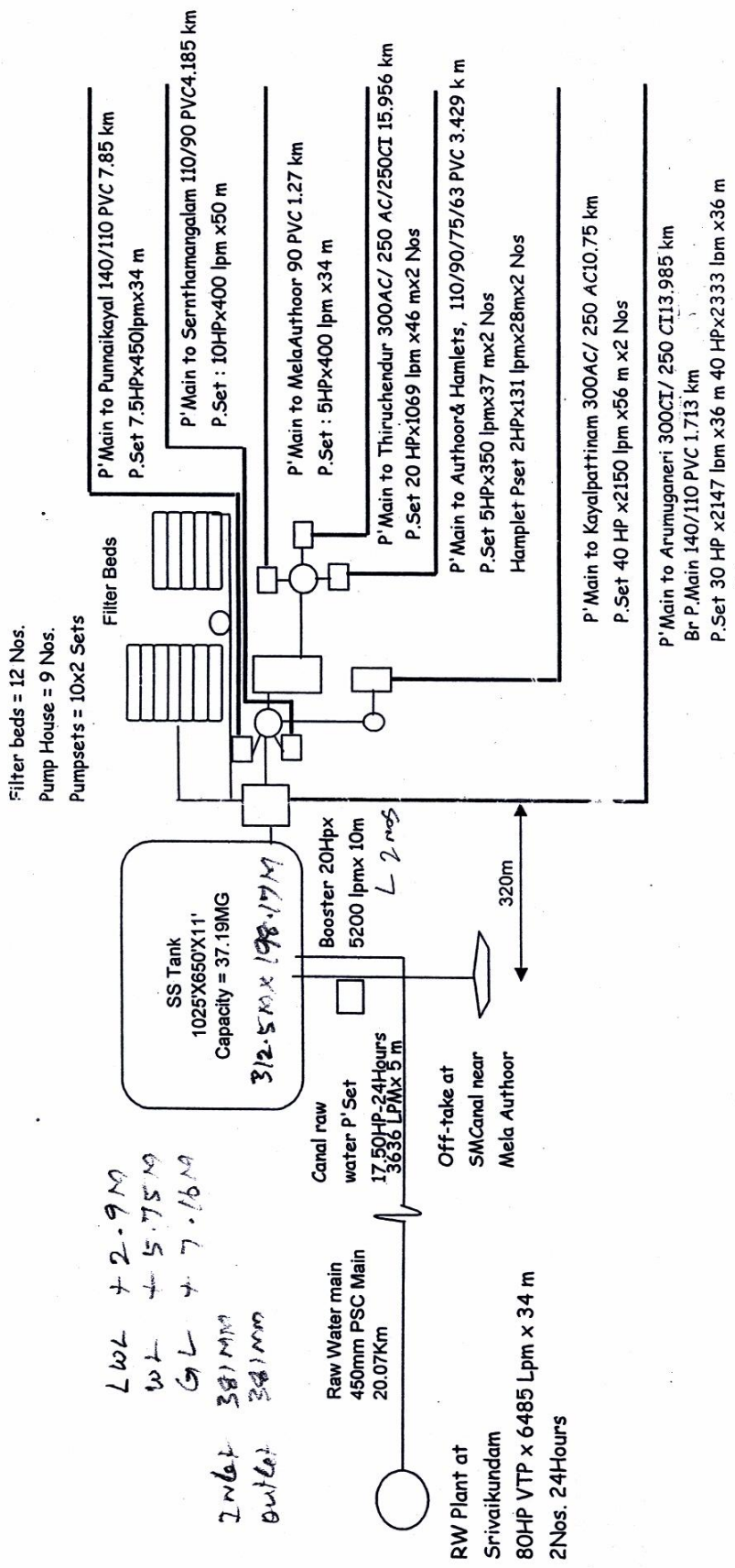


SALIENT DETAILS

**C.W.S.S. TO Thiruchendur, Arumuganeri, Authoor TPs, and 13 other way side Habitations in Thoothukudi District.
(HWs, Treatment units are common for both schemes at CWSS to Thiruchendur, and WSIS to Kayalpattinam Mupty.)**

1	Scheme Cost	Rs.37.50 Lakhs & Rs.1370 Lakhs
2	Beneficiaries	: Thiruchendur, Arumuganeri, Authoor TPs, and 13 other way side Habitations
3	Populations	: 1,16,365
4	Designed Quantity	5.42 mld
5	Head works with Source details	: 6mX12M off take well at Srivaikundam Dam in River Thambirabarani. and south main channel at Mela Authoor.
6	Pumpset	
a	Type	80Hp Vertical Turbine Pumpset-2Nos. Srivaikundam, and 17.5 HP cent-2Nos. Mela Authoor.
b	Duty	6485 Lpmx34m, and 6485 Lpm x34M
c	Hours of Pumping	24 Hrs
7	Treatment Plant	Slow sand filter -12Nos.
8	Transmission Main	
a	Pumping main	52143 M
b	Gravity main	---
9	Booster station	---
a	Sump with capacity	---
b	Pumpset details	---
10	Feeder Mains:	---
11	Service Reservoirs	Thiruchendur TP -3.00LL-1No, 2.00LL-1No
	Total-33Nos.	Arumuganeri TP , 4.00LL-1No, 1.00LL-5No 0.60LL-2No, 0.30LL-1No,
		Authoor TP , 2.00LL-1No, 1.00LL-1No 0.60LL-1No, 0.30LL-3No,
		Mela Authoor VP , 0.60LL-4No, 0.30LL-2No 0.10LL-1No,
		Punnakayal VP , 1.00LL-3No, 0.60LL-1No,
		Sernthapoomangalam VP , 0.60LL-1No, 0.30LL-2No, 0.10LL-1No,
		Veerapandianpattinam VP , 1.00_1No,

CWSS To Thiruchendur TP Arumuganeri TP, Authoor TP and 13 other way side Habitation in Thoothukudi District



- Not Scale -