

SALENT DETAILS

C.W.S.S to Jayankondam &Udayarpalayam and 5 habitations

1	Scheme cost	: Rs.47.00 lakhs
2	Beneficiaries	Municipality - 1 No , Town Panchayat - 1 No, Habitation - 5 Nos
3	Populations	23273
4	Designed Quantity	2.55 mld
5	Head works with Source details	Infiltration wells - 2Nos.(3.5m dia. X 5.0 m depth), Bore well - 2 Nos.(150mm dia. X 20 m depth)
6	Pumpset	
	a Type	50HP Vertical turbine pumpset
	b Duty	2664 X 58m
	c Hours of Pumping	16hours
7	Transmission Main	
	a Pumping main	: 27.27 km
	b Gravity main	
8	Booster station	
	a Sump with capacity	1) Anaikudam (30000 litres), 2)Edayar (20000 litres)
	b Pumpset details	:1) 50HP Centrifugal pumpset 2)Edayar Booster station maintained by Udayarpalayam TP

9 Feeder Mains

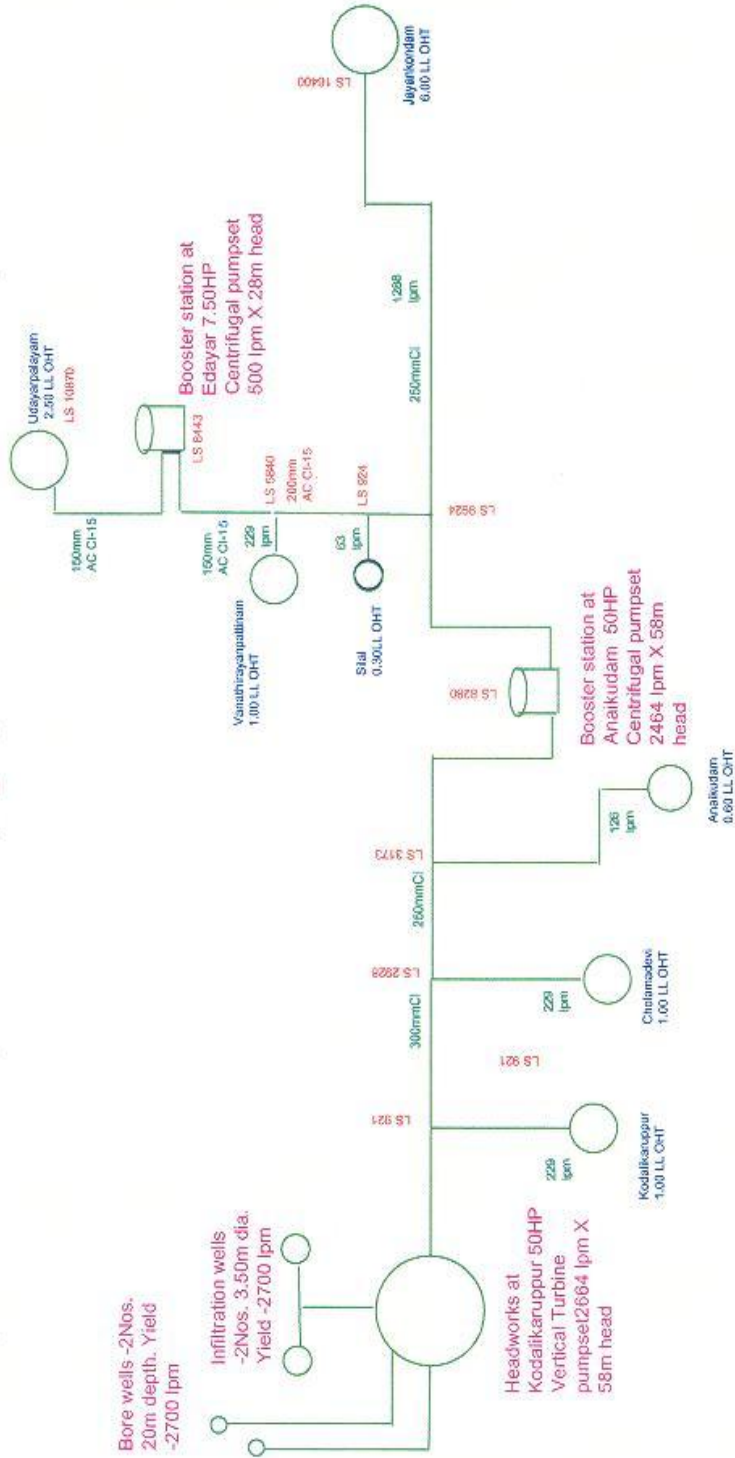
--

10 Service Reservoirs with capacity

: 6.00LL - 1No. ,2.50 LL - 1No ,1.00 LL - 3Nos ,

0.60 LL - 1No ,0.30 LL - 1No

Flow diagram for CWSS to Jayankondam, Udayarpalayam and 5 other habitations in Ariyalur district.



[Signature]
Assistant Engineer,
TWAD Board,
Maintenance Section
Jayankondam.