

## **SAILENT DETAILS**

### **CWSS TO MELPATHY AND OTHER HABITATIONS**

1. Scheme cost. : Rs.477.96 lakhs.
2. Beneficiaries : 34 Nos of Habitations
3. Populations : 20800
4. Designed Quantity : 1.115 mld
5. Head Works with Source details :
  - Inf well – 2 Nos.
  - Diameter – 4.50 m.
  - Depth - 5.00 M.
  
6. Pump set.
  - I . Infiltration Well
    - a). Type : Submersible Pumpset.
    - b). Duty : 7.50 HP ( 4 Nos) (850 lpm X 18 m head).  
  
45.00 HP ( 2 Nos) 1700 lpm X 56 m head).
  - c). Hours of Pumping : 16 Hours.
7. Treatment Plant : Capacity - 0.940 Mld.  
Chlorination: - Spot.

8. Transmission Main.

a). Pumping Main : 71188 M.

b). Gravity Main : -----

9 A).Booster Station.I ( Gollapatty)

a). Sump with capacity : 30000 ltrs.

b). Pump set details : 5.00 HP Centrifugal Pump set (75 lpmx 40 m head).  
5.00 HP Centrifugal Pump set (125 lpmx 40 m head).

B).Booster Station.II ( Samalpatty)

a). Sump with capacity : 3.00 lakhs ltrs.

b). Pump set details : 15 HP Submersible Pump set (848 lpmx 39 m head).  
20 HP Submersible Pump set (646 lpmx 61 m head).  
3.00 HP Submersible Pump set (646 lpmx 61 m head).

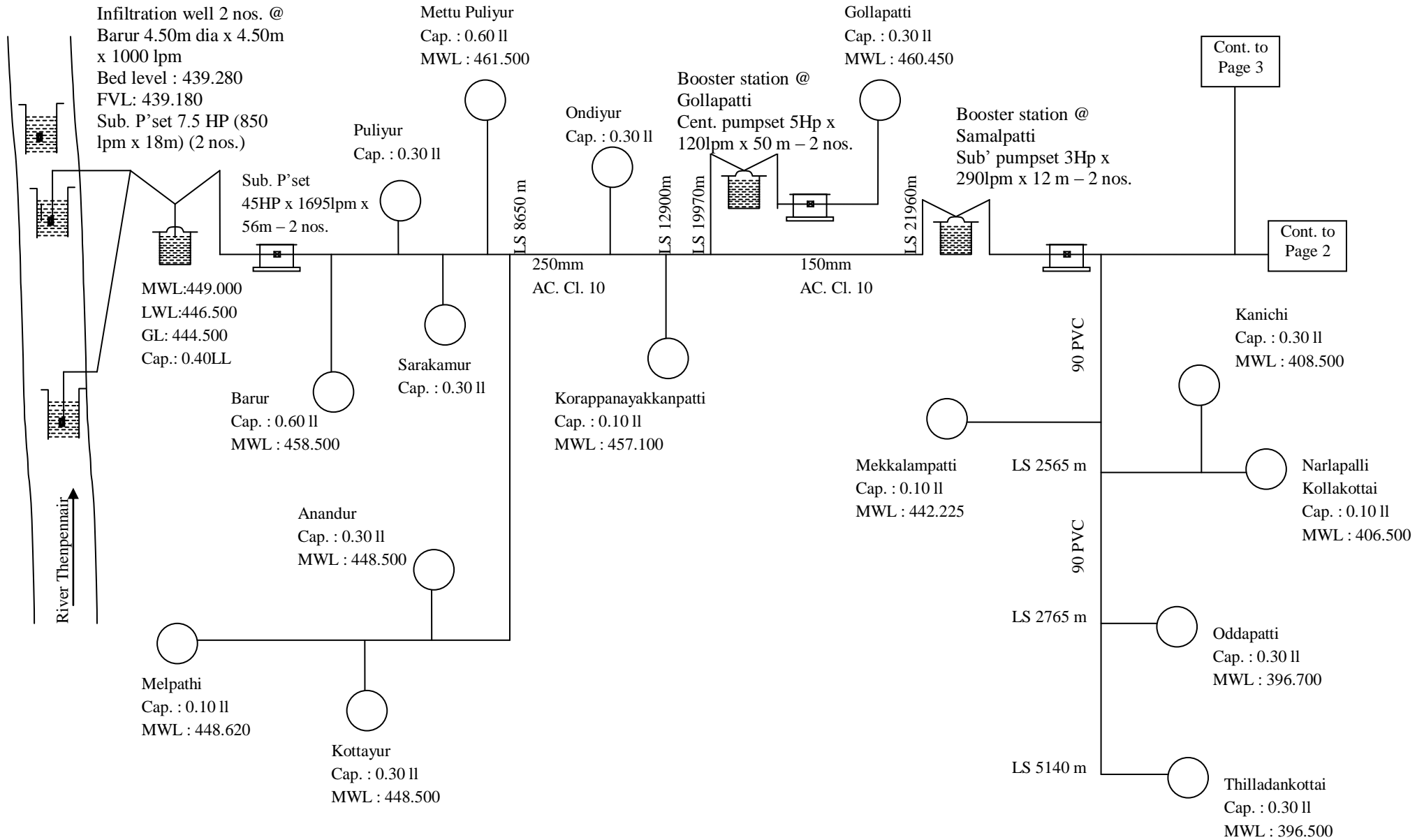
10. Feeder Mains : 36000 M.

11. Service Reservoirs with capacity : 60000 L 4 Nos

: 30000 L 23 Nos

: 10000 L 4 Nos

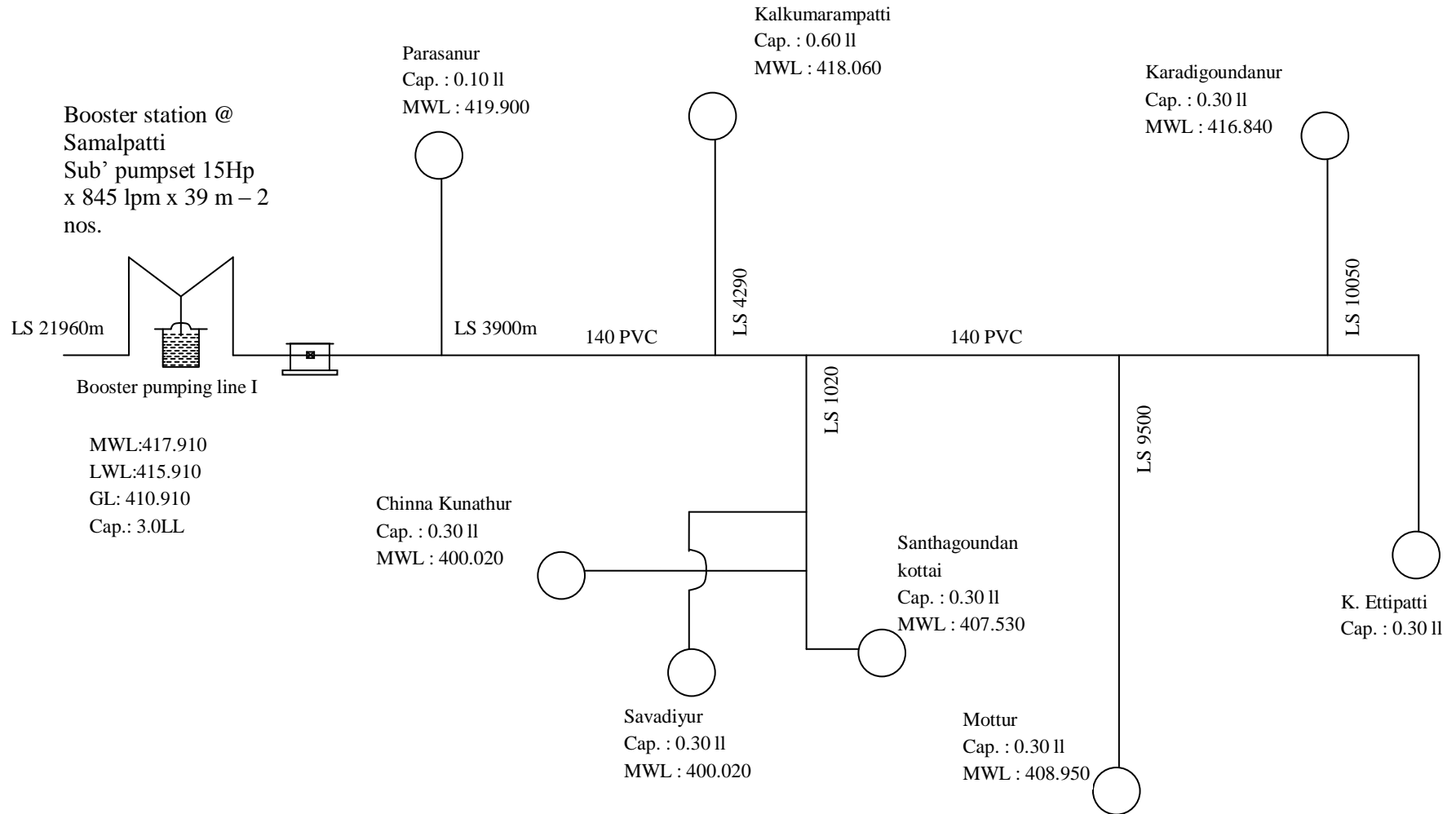
**CWSS TO MELPATHI & 55 OTHER HABITATIONS IN MATHUR AND UTHANGARAI UNIONS IN KRISHNAGIRI DISTRICT  
FLOW DIAGRAM SHEET 1 OF 3**



Cont. to Page 3

Cont. to Page 2

**CWSS TO MELPATHI & 55 OTHER HABITATIONS IN MATHUR AND UTHANGARAI UNIONS IN KRISHNAGIRI DISTRICT  
FLOW DIAGRAM SHEET 2 OF 3**



**CWSS TO MELPATHI & 55 OTHER HABITATIONS IN MATHUR AND UTHANGARAI UNIONS IN KRISHNAGIRI DISTRICT  
FLOW DIAGRAM SHEET 3 OF 3**

