

SALIENT DETAILS

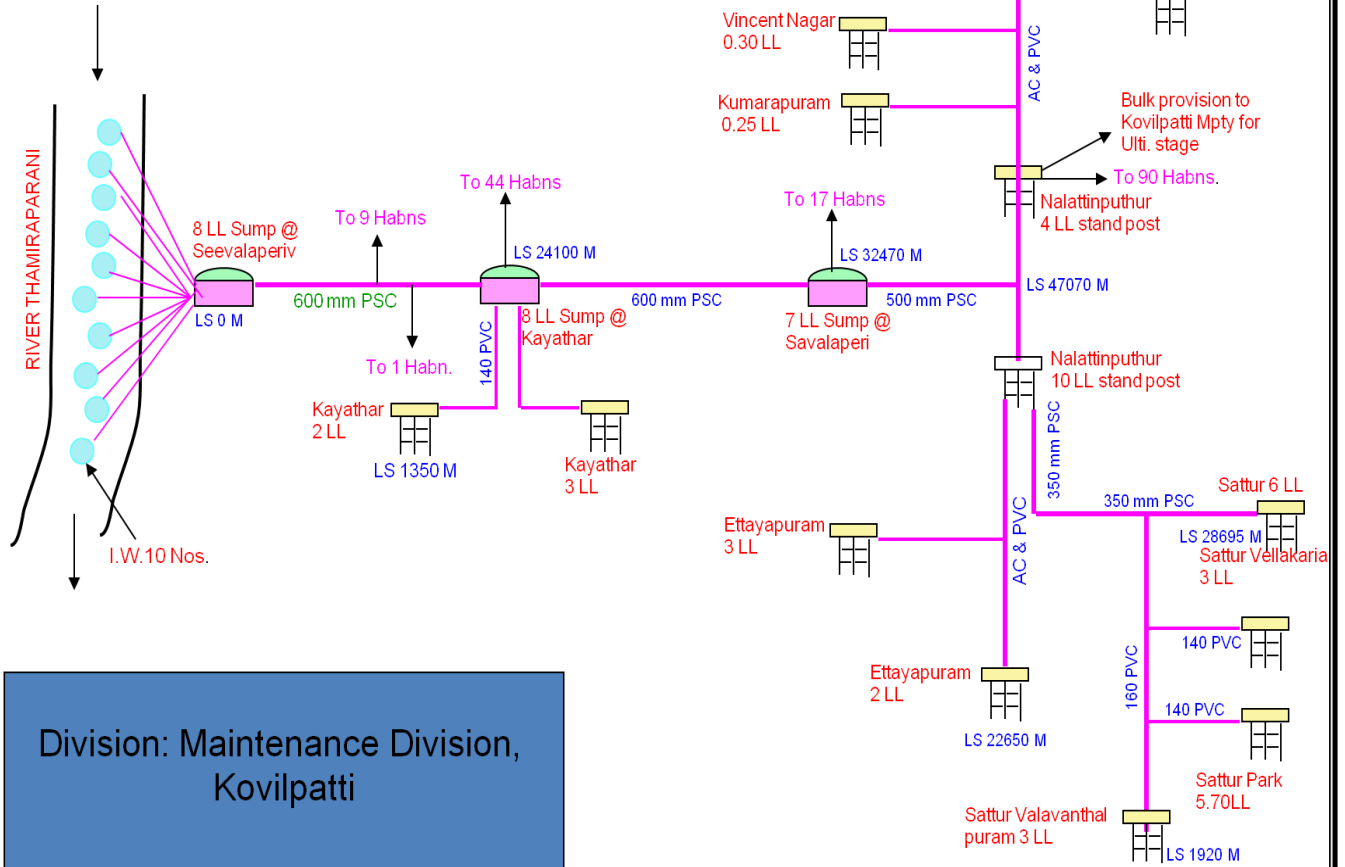
CWSS to Kayathar, Kalugumalai, Ettayapuram UTPs in Thoothukudi district and Sattur municipality in Virudhunagar district.

1	Scheme Cost		Rs. 3016.00 lakh
2	Beneficiaries	:	Sattur municipality - 1 Kayathar TP - 1 No Kalugumalai TP - 1 No. Ettayapuram Tp - 1 No
3	Populations	:	89500
4	Designed Quantity		5.835 mld
5	Head works with Source details	:	4.50 m dai Infiltration wells - 10 Nos. At River Thamiraparani near Seevalaperi village
6	Pumpset	:	7.50 HP - 10 Nos (10+10)
a	Type	:	Submersible Pump set
b	Duty	:	1028 lpm x 17 m
c	Hours of Pumping	:	20 Hours
7	Transmission Main	:	-
a	Pumping main	:	600 MM PSC 14 to 4 Ksc - 24100 M 600 mm PSC - 8 to 4 Ksc - 8370 M 500 mm PSC - 16 to 6 Ksc - 14600 M
b	Gravity main	:	350 mm PSC - 4 to 10 Ksc - 28310 M 150 mm AC - 565 M 160, 140 mm PVC - 2190 M 250, 200 mm AC & 160mmPVC - 21990M
8	Booster station	:	
a	Sump with capacity	:	1. At head works - 8.00 LL 2. Kayathar - 8 LL Sump 3. Savalaperi - 7.00 LL

b	Pumpset details	: 1.At head works - 100 HP HSC P' set – 5138 lpm x 51 m – 3 Nos. (1 No. stand bye) 2.Kayathar B.S - 50 HP HSC P' set - 4148lpm x 30 m - 3 Nos. (1 Stand bye) 2a. Kayathar for 3.00 LL SR - 5 HP Cent.- 466 lpm x 20 m - 1+1 2b.Kayathar for 2.00 LL SR - 5 HP Cent.- 352 lpm x 27 m - 1+1 3.Savalaperi BS - 100 HP HSC - 4013LPM x 64 m - 3 Nos. (1 stand bye) 4.At Nalattinputhur SP for Kalugumalai - 10 HP HSC - 1111 lpm x 23 m - 1+1
9	Feeder Mains:	: 1.140MM PVC - 1350 M 2. 250, 200mm AC & 160 mm PVC - 14540 M
10	Service Reservoirs	: 1.Kayathar - 3.00 LL - 1 No 2.Kayathar - 2.00 LL - 1 No 3.Kalugumalai - 2.00 LL - 1 No 4.Ettayapuram - 2.00 LL - 1 No 5.Sattur - 2.00 LL - 1 No 6.Sattur - 3.00 LL - 1 No 7. Nalattinputhur - 10.00 LL Stand Post - 1 No 8. Nalattinputhur - 4.00 LL Stand Post - 1 No.

CWSS TO KAYATHAR, KALUGUMALAI, ETTAYAPURAM UTPs
IN THOOTHUKUDI DISTRICT AND SATTUR MUNICIPALITY IN
VIRUDHUNAGAR DISTRICT.

SCHEMATIC DIAGRAM



Division: Maintenance Division,
Kovilpatti