

## **SAILENT DETAILS**

### **CWSS TO BARGUR AND 29 OTHER HABITATIONS**

1. Scheme cost. : Rs.656.80 lakhs.
2. Beneficiaries : 1 Town Panchayat & 29 Habitations
3. Populations : 37553
4. Designed Quantity. : 1.57 mld
5. Head Works with Source detail : Inf well – 4 Nos.  
Diameter – 4.50 m.  
Depth - 4.00 M.
6. Pump set.
  - I . Infiltration Well
    - a). Type : Submersible Pumpset.
    - b). Duty : 5.00 HP ( 8 Nos)  
(725 lpm X 16 m head)
  - II. Sump : 1.00 lakhs
    - a). Type : Turbine Pumpset.
    - b). Duty : 40.00 HP  
(2700 lpmX 41 m head)
    - c). Hours of Pumping : 16 Hours.

7. Treatment Plant (with units details) : Capacity - 1.780 Mld.  
Silver Ionization
8. Transmission Main
- a). Pumping Main : 66585 M.
  - b). Gravity Main : -----
9. A.Booster Station.I ( Iguntham)
- a). Sump with capacity : 1.00 ltrs.
  - b). Pump set details : 40 HP Centrifugal Pumpset  
(2085 lpmx 45 m head).  
15 HP Centrifugal Pumpset  
(795 lpmx 39 m head).
- B).Booster Station.II (Achamangalam)
- a). Sump with capacity : 60000 ltrs.
  - b). Pump set details : 22.50 HP Centrifugal Pumpset  
(1313lpm x 38 m head).  
7.50 HP Centrifugal Pumpset  
(558 lpm x 31 m head).  
5.00 HP Centrifugal Pumpset  
(215 lpm x 30 m head).

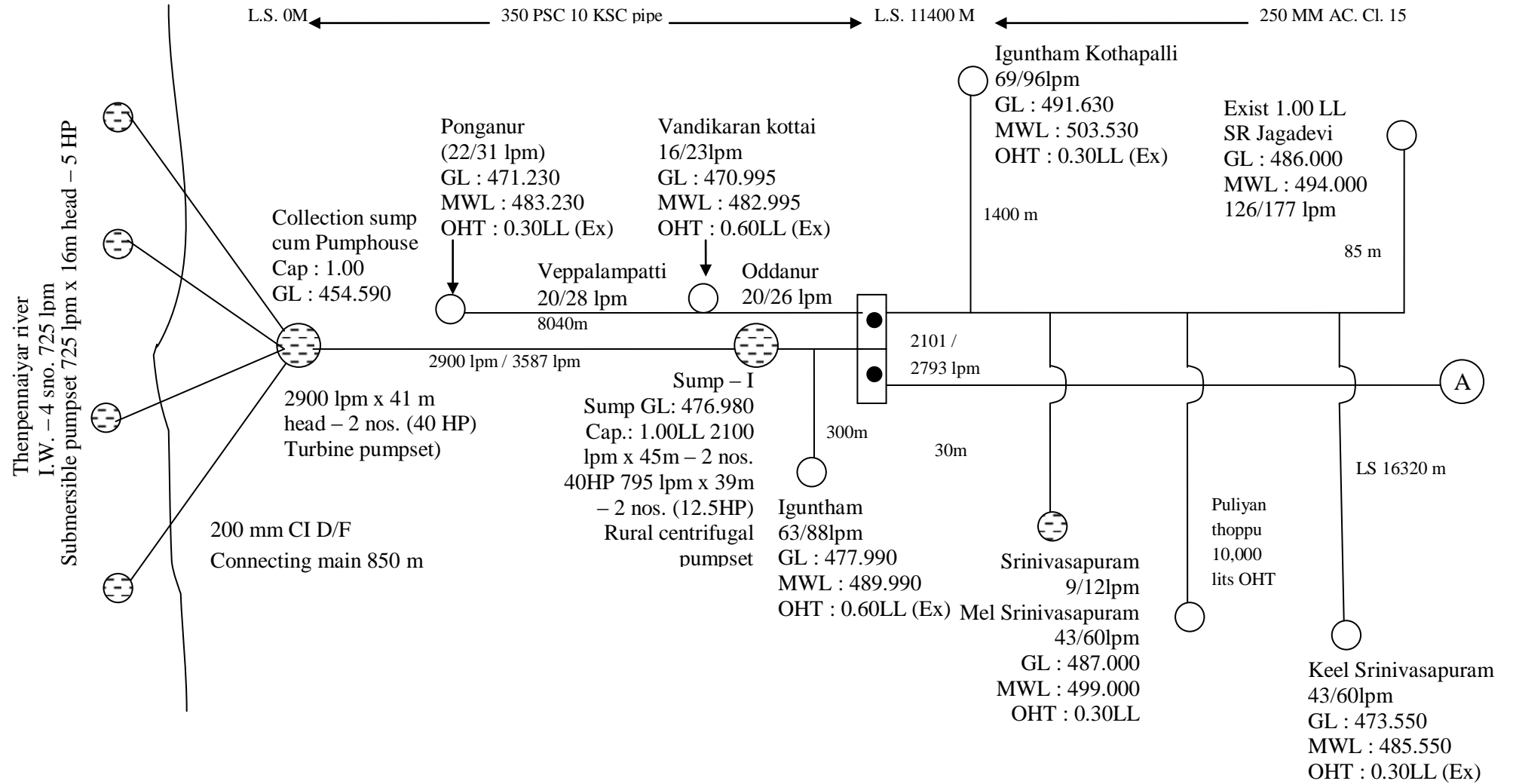
C).Booster Station.III ( Naralakottai)

- a). Sump with capacity : 30000 ltrs.
- b). Pump set details : 3 HP Submersible Pumpset  
(317 lpm x 19 m head).

10. Feeder Mains : 11650 M.

11. Service Reservoirs with capacity : 200000 L 2 Nos  
100000 L 3 Nos  
60000 L 6 Nos  
30000 L 14 Nos  
10000 L 6 Nos

**CWSS TO BARGUR T.P. AND 29 OTHER WAY SIDE RURAL HABITATIONS  
FLOW DIAGRAM SHEET 1 OF 2**



**(A)** → Continue to the second sheet

**CWSS TO BARGUR T.P. AND 29 OTHER WAY SIDE RURAL HABITATIONS**

**FLOW DIAGRAM SHEET 2 OF 2**

