

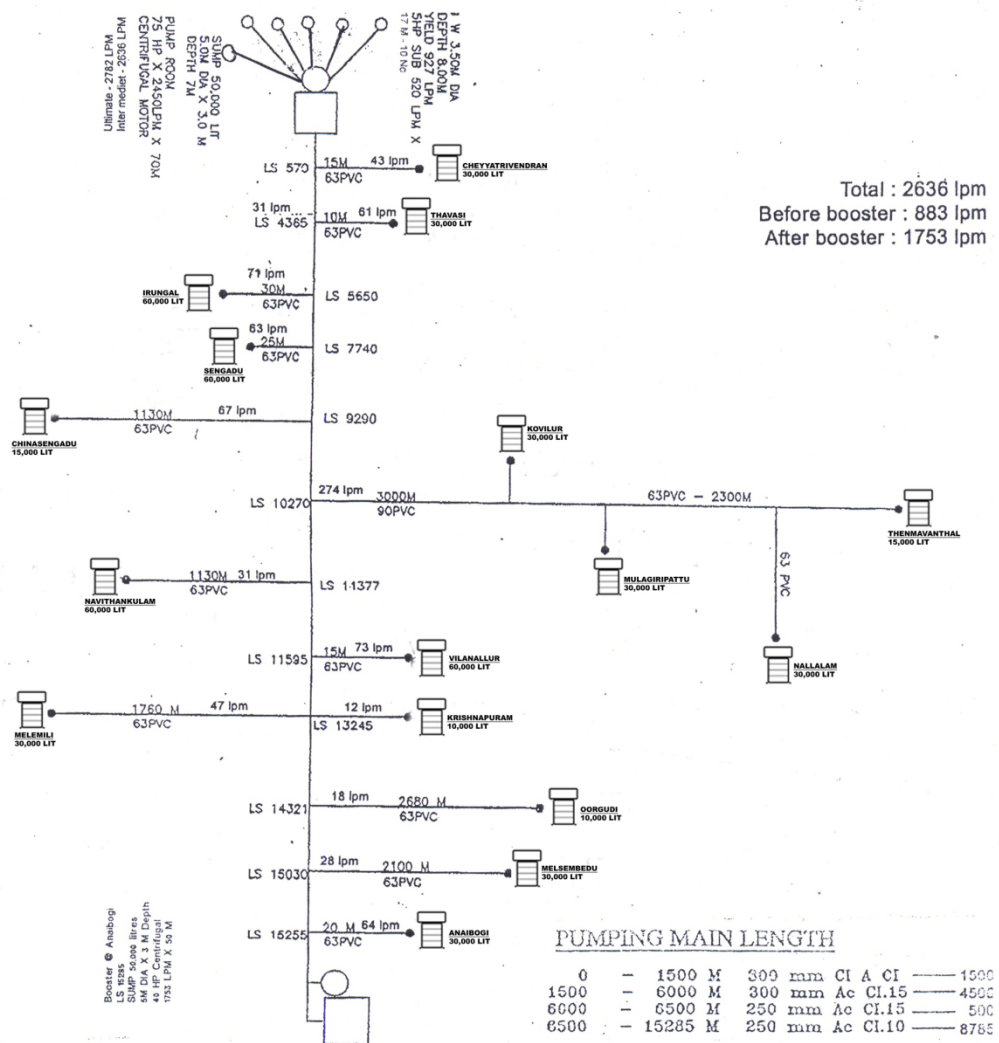
# SALIENT DETAILS

## CWSS TO DESUR, THELLAR & OTHER HABITATIONS IN ANNAKAVOOR, PERANAMALLUR AND THELLAR UNION

- 1 Scheme Cost : Rs. 257.00 Lakhs
- 2 Beneficiaries : Town panchayat – 1 No.  
Habitations – 65 Nos.
- 3 Populations : 45221
- 3 Total Daily Requirement : 3.338 mld
- 4 Head works with source details : Infiltration well in Cheyyar River
- |          | Dia    | Depth  | Yield   |
|----------|--------|--------|---------|
| IW.I :   | 3.50 M | 8.00 M | 600 LPM |
| IW.II :  | 3.50 M | 8.00 M | 600 LPM |
| IW.III : | 3.50 M | 8.00 M | 600 LPM |
| IW.IV :  | 3.50 M | 8.00 M | 600 LPM |
| IW.V :   | 3.50 M | 8.00 M | 600 LPM |
| IW.VI :  | 3.50 M | 8.00 M | 467 LPM |
- Pump Room : 1 No (10.00 M X 9.00 M)
- Sump : 50,000 Lit Cap – 1 No
- 5 Pumpset
- |                     | IW.I  | IW.II    | IW.III   | IW.IV    | IW.V     | IW.VI    |
|---------------------|---|----------|----------|----------|----------|----------|
| a. Type             | Sub   | Sub      | sub      | sub      | sub      | sub      |
| Duty                | 5HP   | 5 HP     | 5HP      | 5HP      | 5HP      | 7.5HP    |
| LPM x M             | (528X17)  | (528X17) | (528X17) | (528X17) | (528X17) | (400x40) |
| i.                  | 2nos  | 2nos     | 2nos     | 2nos     | 2nos     | 2nos     |
| b. Main P'Set       | : 75 HP C.F PSet 2636 lpm X 79 M – 2 nos<br>(with stand by) |          |          |          |          |          |
| c. Hours of pumping | : 20 Hours  |          |          |          |          |          |
- 6 Transmission Main : Short Raising main
- IW.I** : 150 mm CI Pipe LA Class = 260 M
  - IW.II** : 150 mm CI Pipe LA Class = 310 M
  - IW.III** : 150 mm CI Pipe LA Class = 360 M
  - IW.IV** : 125 mm CI Pipe D/F = 385 M
  - IW.V** : 125 mm CI Pipe D/F = 355 M
  - IW.VI** : 100 mm GI Pipe = 1062 M
- b. Pumping Main
1. : 300 mm CI LA Pipe = 1500 M

- a. 300 mm AC CI 15 = 4500 M
    - b. 250 mm AC CI 15 = 500 M
    - c. 250 mm AC CI 10 = 8785 M
  - c. Gravity Main : NIL
  - d. Booster Annaibogi to tail end Thellar
    - i. **PM** : 280 mm OD PVC 6ksc = 995 M
      - a. 250 mm AC CI 15 = 2295 M
      - b. 250 mm AC CI 10 = 7371 M
      - c. 200 mm AC CI 10 = 2224 M
      - d. 150 mm AC CI 10 = 2497 M
      - e. 125 mm AC CI 10 = 7103 M
- 7 Booster : at Annaibogi
  - a. Sump with capacity : 50,000 Lit Capacity
  - b. Pumpset details : 40 HP C.F Pset 1753 lpm X 50 M - 2 nos
    - i. With stand by
- 8 Feeder mains :
  - i. **BPM** : 150 mm AC CI 10 = 3900 M
    - a. 125 mm AC CI 10 = 6060 M
    - b. 110 mm PVC pipe 4ksc = 1500 M
    - c. 90 mm PVC pipe 4ksc = 300 M
    - d. 75 mm PVC pipe 4ksc = 3970 M
    - e. 63 mm PVC pipe 4ksc = 21932 M
- 9 Service reservoirs with capacity : 10000 Lit Cap = 5 Nos    60000 Lit Cap = 8 Nos
  - a. 15000 Lit Cap = 2 Nos    100000 Lit Cap = 1 No
  - b. 30000 Lit Cap = 17 Nos    150000 Lit Cap = 1 No
    - i. 250000 Lit Cap = 1 No

**CWSS TO DESUR - THELLAR AND 87 OTHER HABITATIONS IN TIRUVANNAMALAI DISTRICT**  
**FLOW DRAGRAM (NOT to Scale)**  
**from head works to booster @ anaibogi**



**CWSS TO DESUR - THELLAR AND 87 OTHER HABITATIONS IN TIRUVANNAMALAI DISTRICT  
FLOW DRAGRAM (NOT to Scale)  
from booster anaibogi to (Tail End Habitation) THELLAR**

