

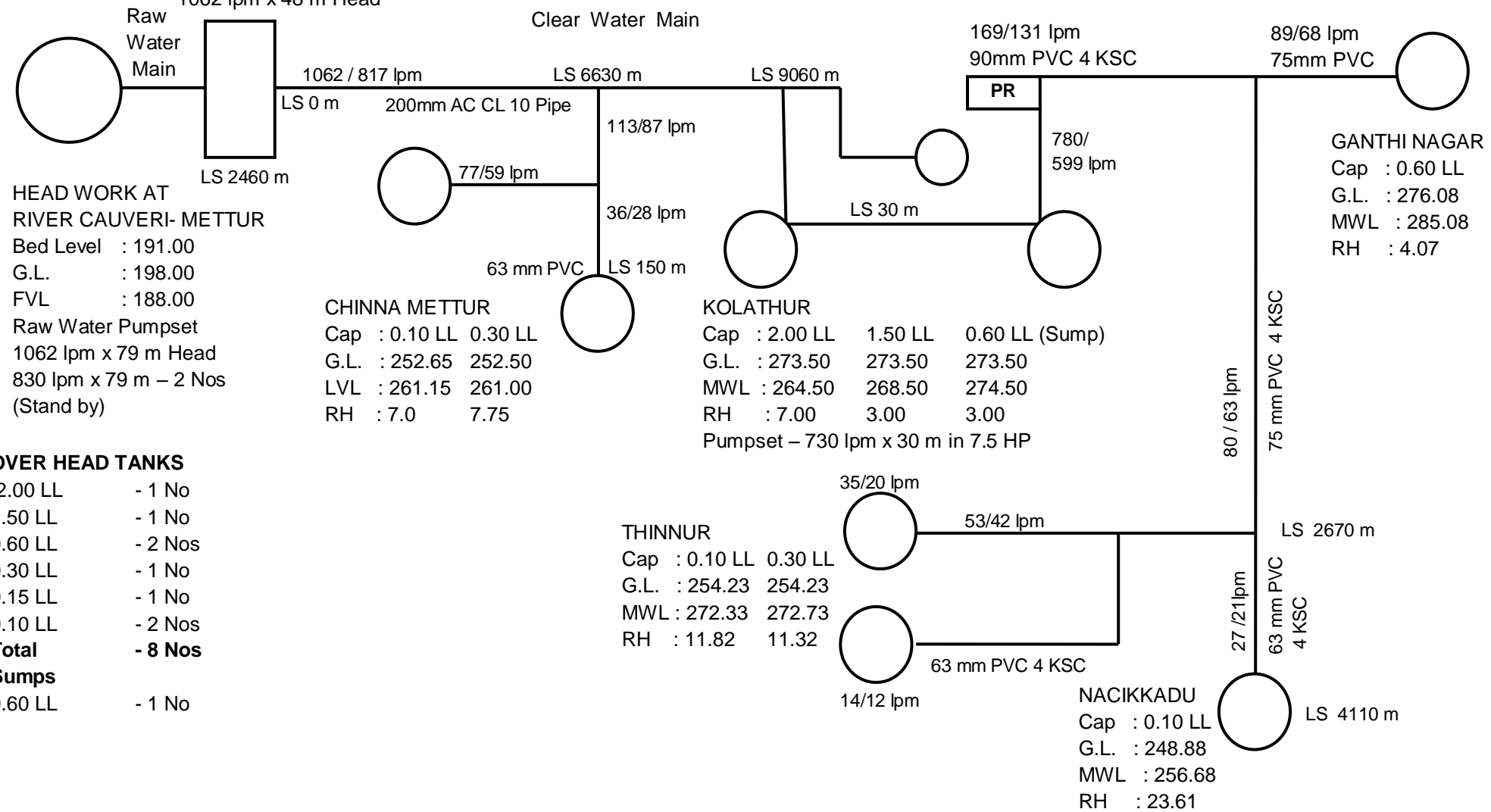
SALIENT DETAILS
C.W.S.S TO KOLATHUR

1. Scheme Cost : Rs.36.11 Lakhs
2. Beneficiaries : Town Panchayat – 1 No
3. Populations : 13670
4. Designed Quantity : 0.91 mld
- 5 Head works with Source details : Collection well 5.50 m dia at River Cauvery
6. RW Pumpset
- a) Type : Turbine 25 HP 2 nos & 30 HP –1No
- b) Duty : 830 x 79 m Head -1062 x 79m
- c) Hours of Pumping : 20 Hrs
- 7 Raw water Pumping main : 200 mm AC – 2460 m
8. Treatment plant with unit Details : --1.194 mld with following units
Aerator, Claifloculators ,
Rapid sand filter.
- CW Pumpset
- a) Type : 25 HP pumpset
- b) Duty : 1062 x 48 m Head
- c) Hours of Pumping : 20 Hrs
9. Transmission Main : 200 mm AC Cl 10 Pipe -9060 m
10. Booster Station

- a) Sump with Capacity : 0.60 LL
- b) Pumpset Details : HSC – 730 x 30 m Head
11. Feeder main : 110 – 63 mm PVC – 5160 m
12. Service reservoirs with capacity : 2.00 LL - 1 No
- 1.50 LL – 1 No
- 0.60 LL – 2 Nos
- 0.30 LL - 1 No
- 0.15 LL – 1 No
- 0.10 LL – 2 Nos

CWSS TO KOLATHUR TOWN PANCHAYAT IN SALEM DISTRICT FLOW DIAGRAM

TREATMENT PLANT
MASILAPALAYAM
Cap : 1.194 mld
G.L. : 252.20
FVL : 249.50
HGL : 287.45
Clear Water Pump set
1062 lpm x 48 m Head



HEAD WORK AT
RIVER CAUVERI- METTUR
Bed Level : 191.00
G.L. : 198.00
FVL : 188.00
Raw Water Pumpset
1062 lpm x 79 m Head
830 lpm x 79 m – 2 Nos
(Stand by)

GANTHI NAGAR
Cap : 0.60 LL
G.L. : 276.08
MWL : 285.08
RH : 4.07

CHINNA METTUR
Cap : 0.10 LL 0.30 LL
G.L. : 252.65 252.50
LVL : 261.15 261.00
RH : 7.0 7.75

KOLATHUR
Cap : 2.00 LL 1.50 LL 0.60 LL (Sump)
G.L. : 273.50 273.50 273.50
MWL : 264.50 268.50 274.50
RH : 7.00 3.00 3.00
Pumpset – 730 lpm x 30 m in 7.5 HP

THINNUR
Cap : 0.10 LL 0.30 LL
G.L. : 254.23 254.23
MWL : 272.33 272.73
RH : 11.82 11.32

NACIKKADU
Cap : 0.10 LL
G.L. : 248.88
MWL : 256.68
RH : 23.61

- OVER HEAD TANKS**
- 2.00 LL - 1 No
 - 1.50 LL - 1 No
 - 0.60 LL - 2 Nos
 - 0.30 LL - 1 No
 - 0.15 LL - 1 No
 - 0.10 LL - 2 Nos
 - Total - 8 Nos**
- Sumps**
- 0.60 LL - 1 No

