

SALIENT DETAILS

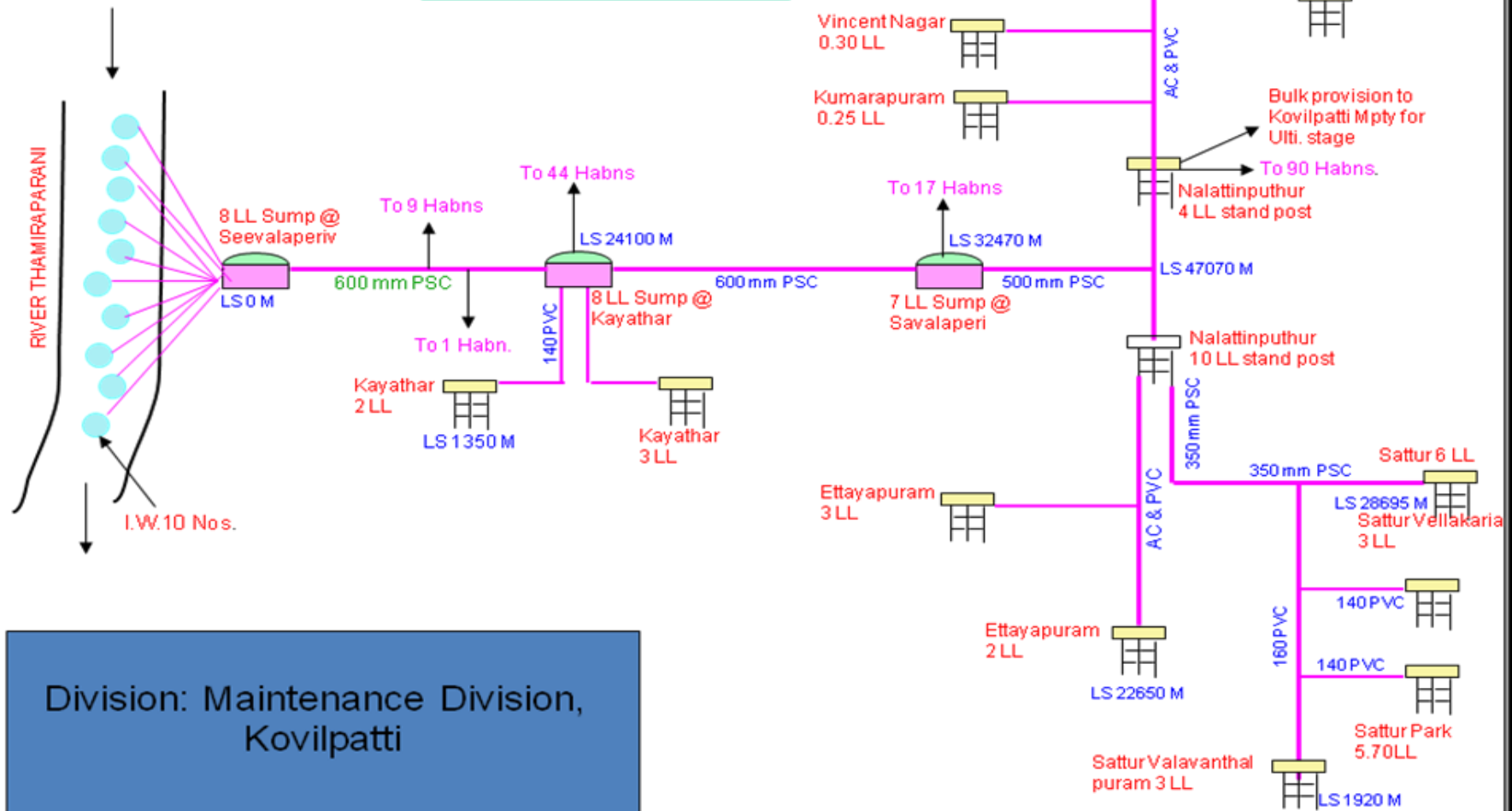
CWSS to 161 wayside rural habitations in Ottapidaram Kayathar, and Kovilpatti unions from the bulk provision made in CWSS to Kayathar, Kalugumalai, and Ettayapuram UTPs and Sattur Municipality

1	Scheme Cost		Rs. 701 Lakh
2	Beneficiaries	:	Rural habitations - 161 Nos.
3	Populations	:	140174
4	Designed Quantity		4.931 mld
5	Head works with Source details	:	Bulk provision made from Kayathar, Kalugumalai, Ettayapuram & Sattur mpty.
6	Pumpset	:	-
a	Type	:	-
b	Duty	:	-
c	Hours of Pumping	:	12 Hrs. for intermediate boosters & 20 Hours for main boosters.
7	Treatment Plant	:	-
8	Transmission Main	:	-
a	Pumping main	:	AC,PVC,GI Pipes- 240.797 km
b	Gravity main	:	-
9	Booster station	:	
a	Sump with capacity	:	1.Kalappaipatti - 1.00 LL 2.Iyanar Oothu - 1.00 LL 3.Agilandapuram - 0.30 LL 4.Vellalankottai - 2.50 LL 5.Chidampampatti - 0.30 LL 6.Melaparaipatti - 1.00 LL 7.Kalangaraipatti - 2.50 LL 8.Kalugasalapuram - 1.00 LL 9.Gankankulam - 0.60 LL
			For Rural Feeding

	Pumpset details	:	1.Kalangaraipatti - 5HP Sub. - 386 LPM x 25 M 2.Kalangaraipatti - 2HP Sub. - 168 LPM x 22 M 3.Kalangaraipatti - 4HP Sub. - 143 LPM x 37 M 4.Kalugasalapuram - 5HP Sub. - 257 LPM x 39 M 5.Ayyanaroothu - 5HP Sub. - 296 LPM x 35 M 6.Chidambarampatti -3HP Sub. - 202 LPM x 38 M 7.Agilandapuram - 2HP Sub. - 79 LPM x 47 M 8.Nalattinpudur - 15HP mono. - 1633 LPM x 21 M 9.Nalattinpudur - 6HP mono. - 448 LPM x 28 M 10.Nalattinpudur - 4HP mono - 277 LPM x 25 M 11.Vellalangottai - 7.5HP Sub. - 502 LPM x 34 M 12.Vellalangottai - 3HP Sub. - 131 LPM x 54 M 13.Melaparaipatti - 5HP Sub. - 233 LPM x 34 M 14.Kayathar - 10 HP Sub. - 487 LPM x 51 M 15.Kayathar - 5HP Sub. - 236 LPM x 44 M 16.Kayathar - 5HP Sub. - 236 LPM x 51 M 17.Kayathar- 2HP Sub. - 54 LPM x 50 M 18.Kalapaipatti 2 HP Sub. -118 lpm x 40 m 19.Kalapaipatti 1 HP Sub. - 106 x 18 m 20.Savalaperi 5 HP Sub. - 234 lpm x 51 m 21. Savalaperi 1 HP Sub. - 302 x 20 m 22.Kankankulam 2 HP Sub. - 150 lpm x 35 m
10	Feeder Mains:	:	-
11	Service Reservoirs with capacity	:	Existing SRs

CWSS TO KAYATHAR, KALUGUMALAI, ETTAYAPURAM UTPs
IN THOOTHUKUDI DISTRICT AND SATTUR MUNICIPALITY IN
VIRUDHUNAGAR DISTRICT.

SCHMATICDIAGRAM



Division: Maintenance Division,
Kovilpatti