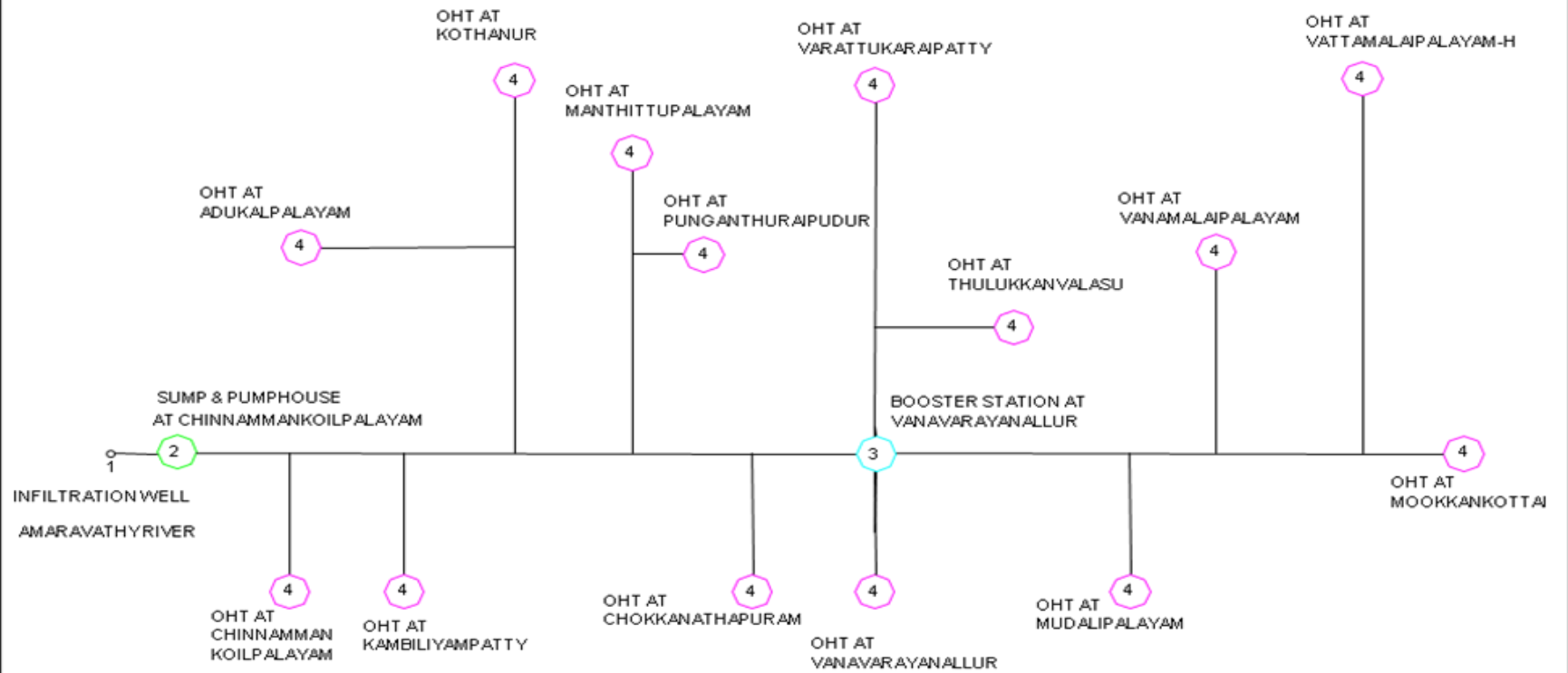


<b>SALIENT DETAILS</b>					
<b>C.W.S.S. TO AKKARAIPALAYAM AND 22 OTHER HABITATIONS IN VELLAKOIL AND KUNDADAM UNIONS</b>					
1	Scheme Cost		Rs 58.15Lakhs		
2	Beneficiaries	:	Habitations 22 Nos.		
3	Populations	:	10,100		
4	Designed Quantity		0.288 mld		
5	Head works with Source details	:	Infiltration Well, Amaravathi River Source		
6	Pumpset				
a	Type		Submercible Pumpset- 2 Nos		
b	Duty		12.50 Hp - 394 lpm x 75m		
c	Hours of Pumping		12 Hours		
7	Transmission Main		-		
a	Pumping main		13.50 km		
b	Gravity main		-		
8	Booster station		Vanavarayanallur		
a	Sump with capacity				

b	Pumpset details					Submercible pumpset			
						7.50 hp X 109 LPM X 60M - 2 Nos			
						1.50 HP x 84 lpm x 22m - 2 Nos			
9	Feeder Mains:					-			
10	No of Group sump with capacity					1 No - 1.00 LL			
11	Service Reservoirs with capacity					60,000 lit-3 Nos, 30,000 lit - 2 Nos			
						10,000 lit - 5 Nos, 5000 lit-2 Nos			

FLOW DIAGRAM  
CWSS TO AKKARAI PALAYAM AND 22 OTHER HABITATIONS



REFERENCE	
1.SOURCE	: AMARAVATHI RIVER
2.SUMP AND PUMPHOUSE	: I.W AT C.KOILPALAYAM-1 No.
3.BOOSTER STATION	: C.KOILPALAYAM
4.OVER HEAD TANKS	: VANAVARAYANALLUR
	: 14 Nos.