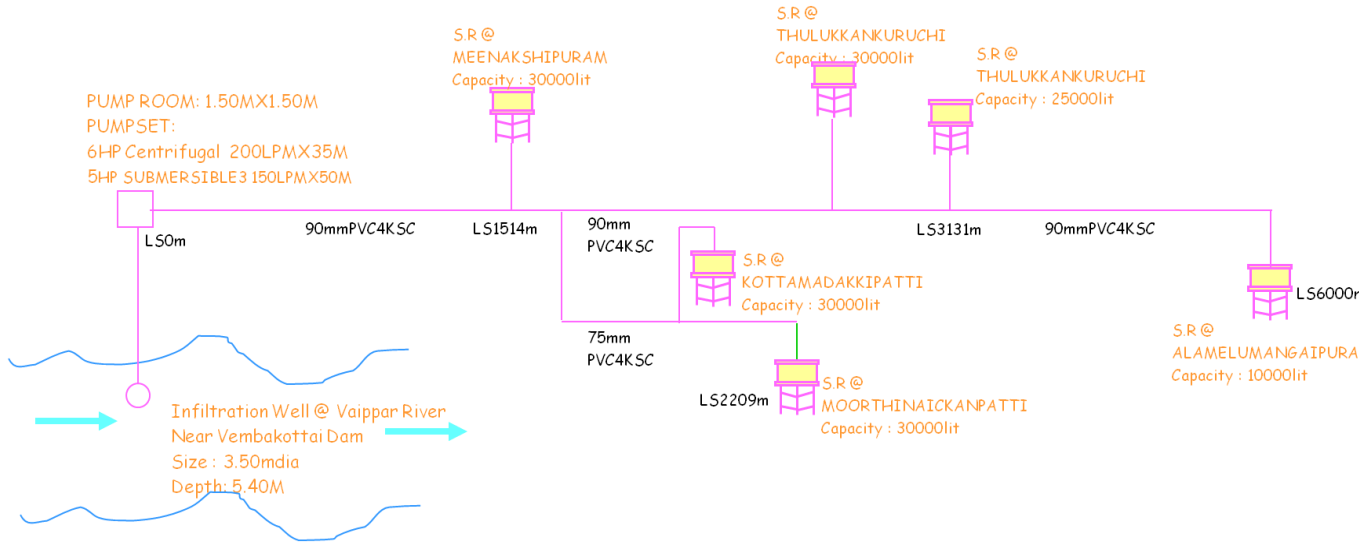


SALIENT DETAILS**CWSS to Thulukankuruchi and 4 other habitations in Vembakottai union**

1	Scheme Cost		Rs 1.97 lakhs
2	Beneficiaries	:	5 habitations
3	Populations		4060
4	Designed Quantity		0.13 mld
5	Head works with Source details	:	1 No. of 3.5 M dia infiltrationwell@ River Vaippar near Vembakottai Dam
6	Pumpset	:	5.0HP - 1No 5.0HP - 1No (Standbye)
a)	Type	:	Submersible pumpset
b)	Duty	:	150 LPM X 50M 150 LPM X 60M (Standbye)
c)	Hours of Pumping	:	12 Hours
7	Transmission Main	:	
a	Pumping main	:	90mm OD PVC 6KSC Pipe - 4447M 75mm OD PVC 4KSC Pipe - 1705M 50mm dia GI Pipe - 504M
b	Gravity main	:	-
8	Booster station	:	
a	Sump with capacity	:	-
b	Pumpset details	:	-
9	Feeder Mains:	:	-
10	Service Reservoirs with capacity	:	30000 litres capacity - 4Nos 25000 litres capacity - 1No 10000 litres capacity - 1No

CWSS TO THULUKKANKURUCHI AND 4 OTHER HABITATIONS OF VEMBAKOTTAI UNION IN VIRUDHUNAGAR DISTRICT

FLOW DIAGRAM



CIRCLE : T.V.CIRCLE, KOVILPATTI
 DIVISION: MAINTENANCE, KOVILPAT