

SALIENT DETAILS

C.W.S.S. TO KARATTUPALAYAM AND 47 HABITATIONS IN NAMBIYUR UNION OF ERODE DISTRICT

1	Scheme Cost	Rs 205.00 lakhs
2	Beneficiaries	: Habitations- 47 Nos
3	Populations	: 10643
4	Designed Quantity	0.420 MLD
5	Head works with Source details	: INFILTRATION WELL-3.50 M DIA,6.0 M DEEP IN RIVER BHAVANI NEAR MACCINACOMBAI OF SATHY UNION
6	Pumpset	
a	Type	SUBMERSIBLE
b	Duty	617 LPM X 64 M HEAD
c	Hours of Pumping	16
7	Transmission Main	
a	Pumping main	87.949 KM
b	Gravity main	NIL
8	Booster station	
a	Sump with capacity	1. BOOSTER AT KARAPADI : 60000 LTS 2. BOOSTER AT KURUMANDUR : 30000 LTS 3. BOOSTER AT NAMAKKALPALAYAM : 30000 LTS 4. BOOSTER AT GETICHEVIYUR : 30000 LTS 5. BOOSTER AT POLAVAPALAYAM : 100000 LTS

b Pumpset details

1. BOOSTER AT KARAPADI :

- a) 5.0 HP MONOBLOC-254 LPMX 34 M HEAD,
- b) 3.0 HP MONOBLOC-302 LPMX26 M HEAD
- c) 2.0 HP, MONABLOC-61 LPMX26 M HEAD

2. BOOSTER AT KURUMANDUR :

- a) 3 HP MONOBLOC-177 LPMX41 M HEAD
- b) 2 HP MONOBLOC-38 LPMX28 M HEAD
- c) 5 HP SUB-87 LPMX49M HEAD

3. BOOSTER AT NAMAKKALPALAYAM :

- a) 3 HP SUB 177 LPMX62 M HEAD

1. BOOSTER AT GETICHEVIYUR :

- a) 7.50 HP MONOBLOC-107 LPM X 45 M HEAD,
- b) 2.0 HP MONOBLOC-55 LPM X 37 M HEAD

1. BOOSTER AT GETICHEVIYUR :

- a) 2.0 HP MONOBLOC-20 LPM X 33 M HEAD,

9 Feeder Mains:

NIL

10 Service Reservoirs with capacity

1.00 LL - 1 No

30000 LTS - 5 Nos

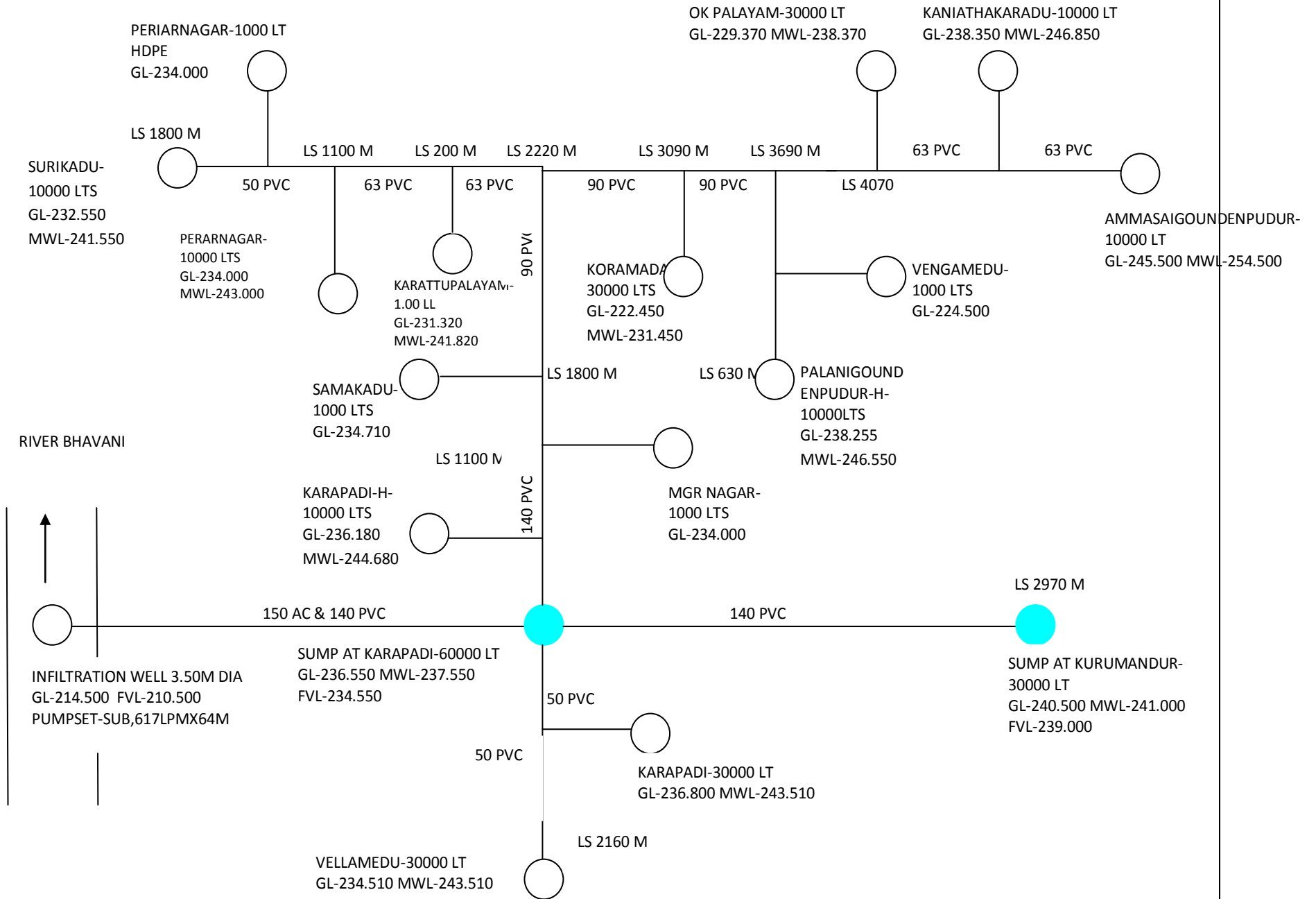
15000 LTS -1 No

10000 LTS -17 Nos

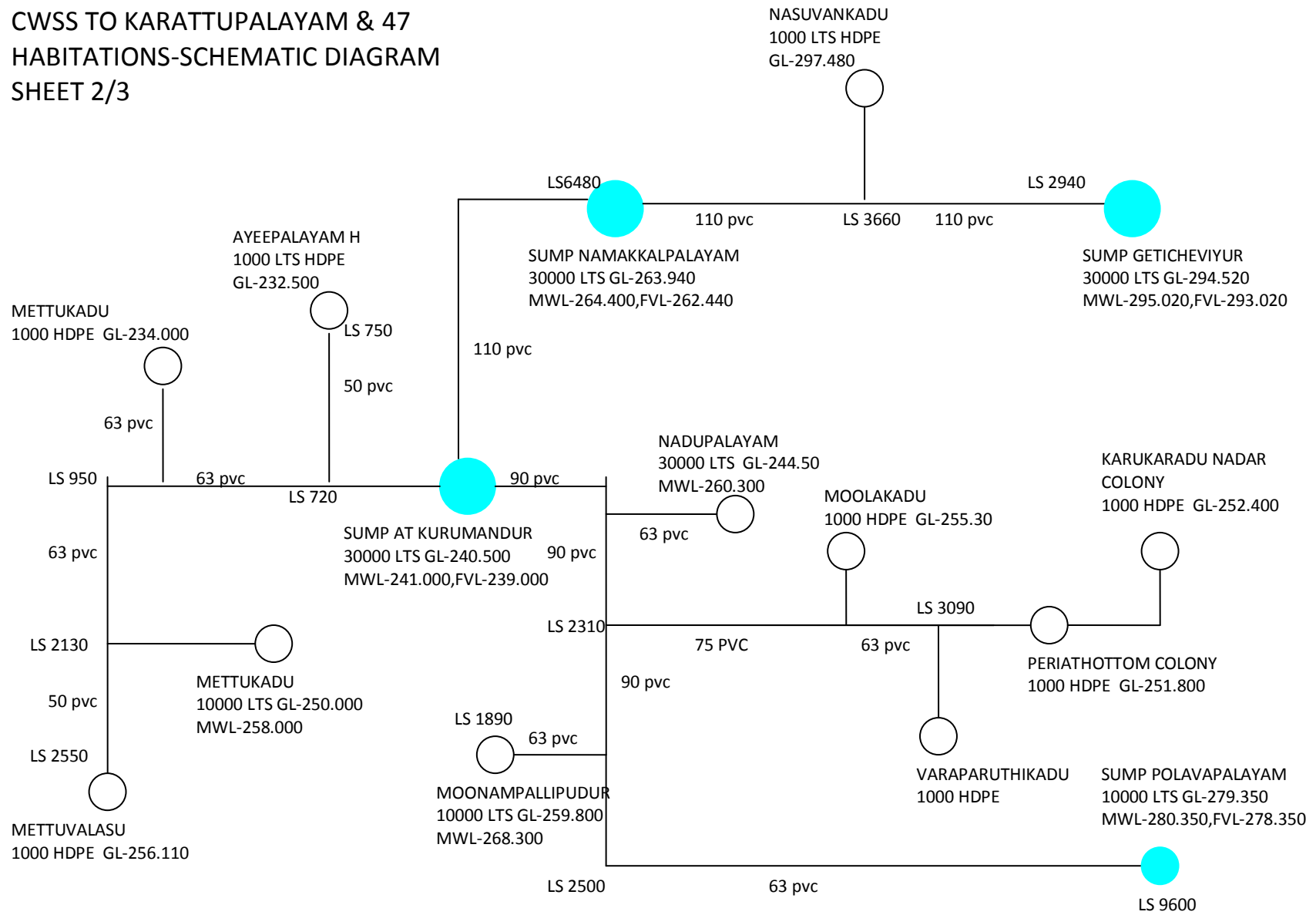
1000 LTS HDPE-25 Nos

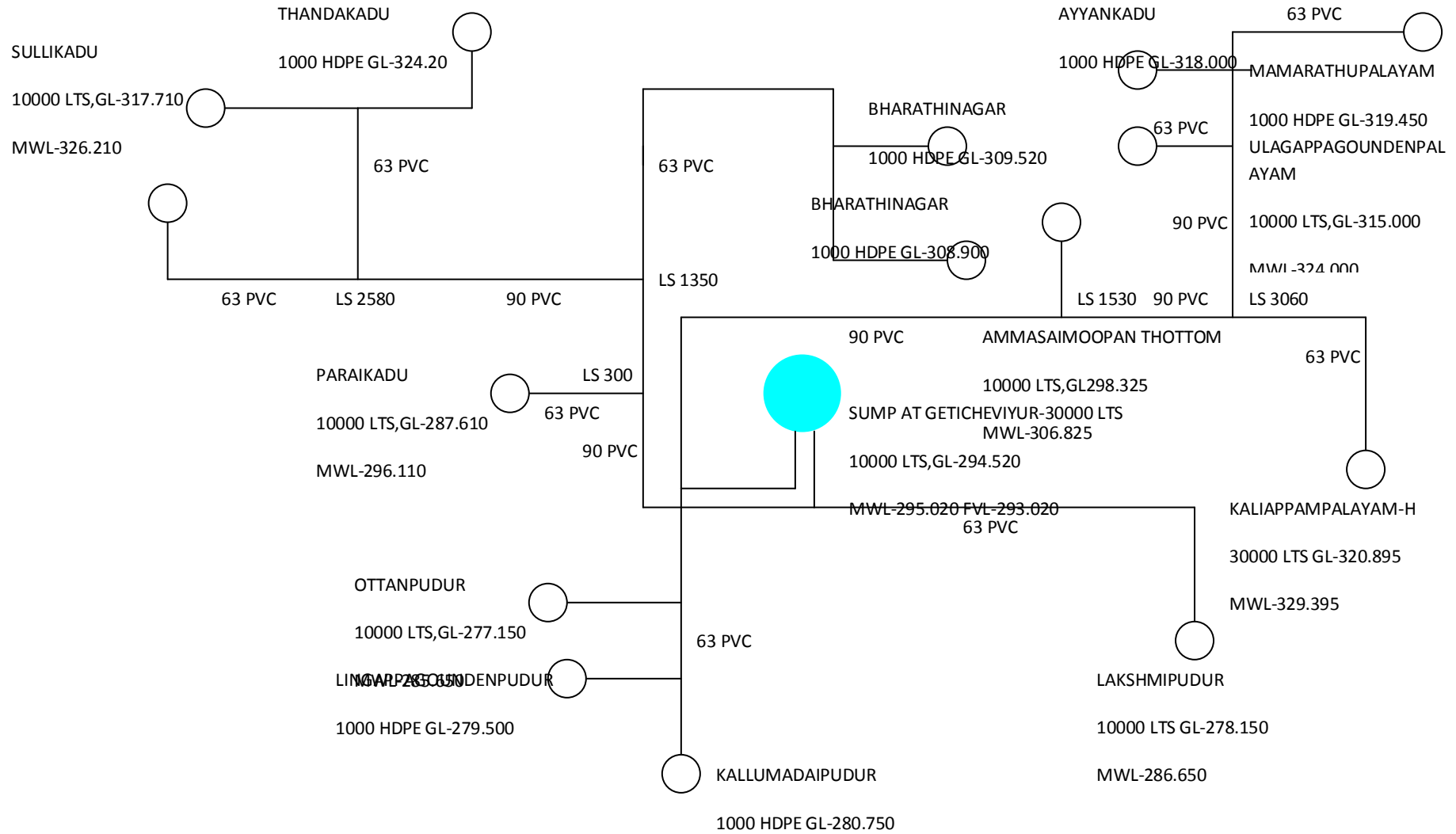
KARATTUPALAYAM CWSS – SCHEMATIC DIAGRAM

SHEET 1/3



CWSS TO KARATTUPALAYAM & 47 HABITATIONS-SCHEMATIC DIAGRAM SHEET 2/3





CWSS TO KARATTUPALAYAM & 47 HABITATIONS

SHEMATIC DIAGRAM SHEET NO 3/3