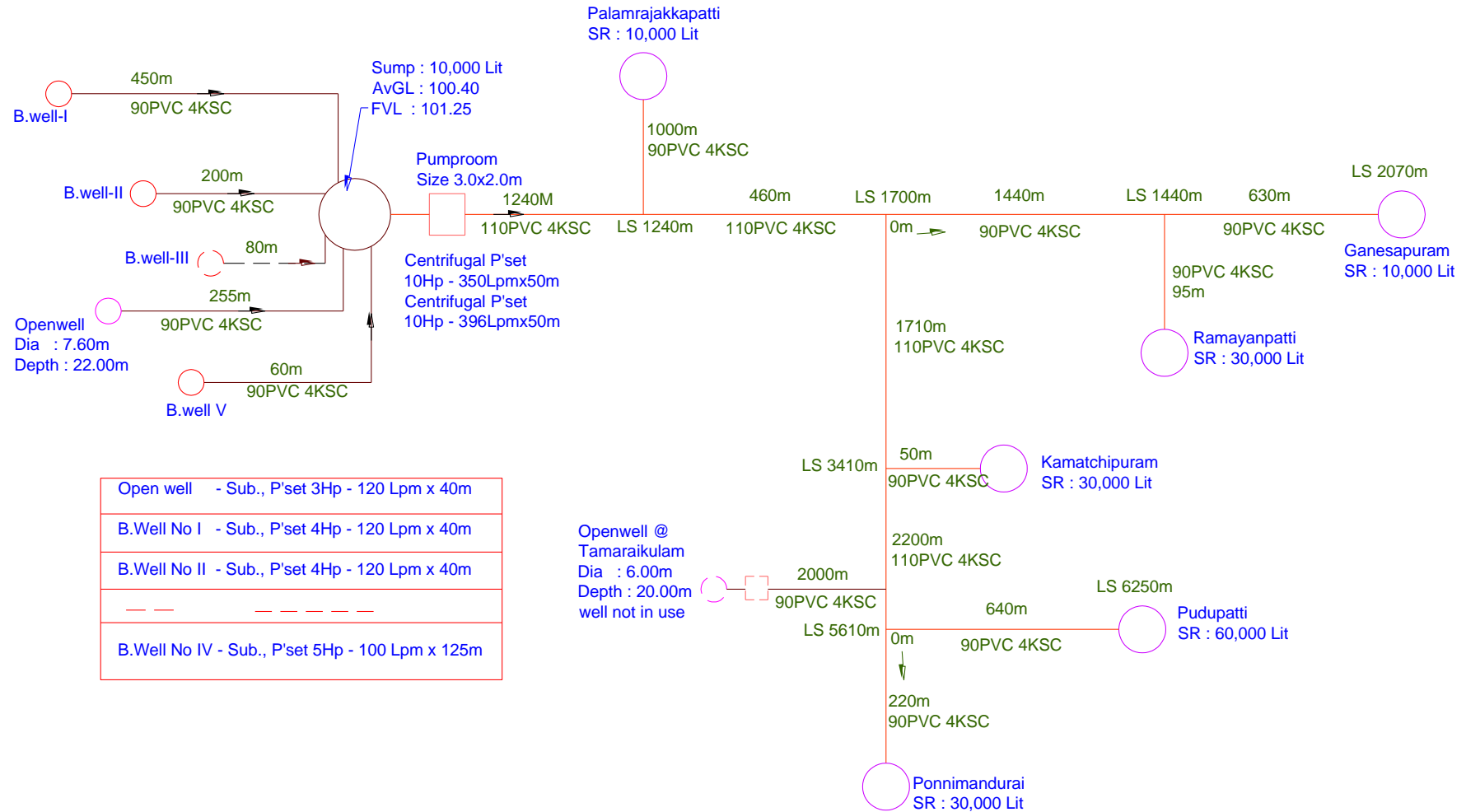


## **CWSS TO PUDUPATTY AND 5 OTHER HABITATIONS**

- 1. Scheme Cost** : Rs.40.50 Lakhs
- 2. Beneficiaries** : Habitations – 6 Nos.
- 3. Population** : 4919
- 4. Designed Qty** : 0.22 mld
- 5. Head works**
- 6. Source** : Open well & Bore well
- 7. Pump set** : Open well – 2 Nos                      Bore well – 3 Nos  
3HPx120lpmx40m-1No              4HPx120lpm x40m –2Nos  
Submersible Pump set              Submersible Pump set  
5HPx100 lpmx125m -1No    10 HP x 360 lpm x 50m – 2 Nos  
Submersible Pump set              Centrifugal Pump set
- 8. Connecting Main** : 90 mm PVC 4 ksc Pipes- 1050 m
- 9. Collection sump Capacity** : 10,000 lit
- 10. Hours of Pumping** : 12 Hours
- 11. Pumping main** : 90 mm & 110 mm PVC Pipe 4 ksc- 6250 m
- 12. Branch Main** : 90 mm PVC Pipe 4 ksc- 2600 m
- 13. Service Reservoir** : 60,000 Lit. OHT – 1 No.  
30,000 Lit. OHT – 3 Nos.  
10,000 Lit. OHT – 2 Nos.

**CWSS TO PUDUPATTI AND 5 OTHER HABITAIONS  
IN DINDIGUL DISTRICT**

**SCHEMATIC DIAGRAM.**



Open well - Sub., P'set 3Hp - 120 Lpm x 40m
B.Well No I - Sub., P'set 4Hp - 120 Lpm x 40m
B.Well No II - Sub., P'set 4Hp - 120 Lpm x 40m
-----
B.Well No IV - Sub., P'set 5Hp - 100 Lpm x 125m