

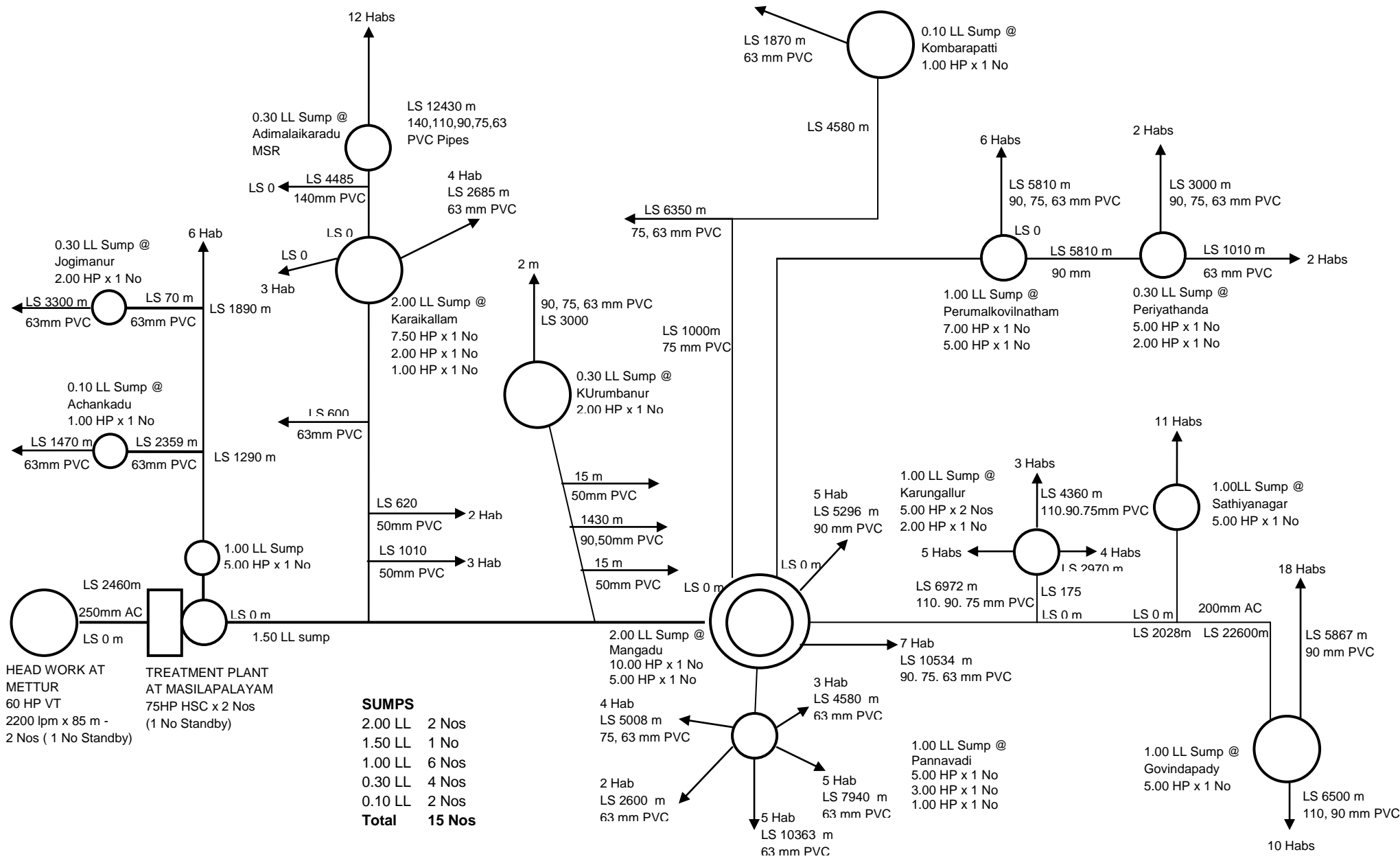
## **SALIENT DETAILS**

### **CWSS TO KAVERIPURAM AND OTHER RURAL HABITATIONS IN KOLATHUR UNION IN SALEM DISTRICT**

- 1 Scheme Cost : Rs. 907.60 Lakhs
  
- 2 Beneficiaries : Habitations – 142 Nos
- 3 Population : 89543
  
- 4 Design Quantity : 2.50 mld
  
- 5 Hours of pumping : 21
  
- 6 Head works : River Cauvery at down stream of Mettur Dam  
  
Pump sets : 60 HP -2200 lpm x 85m head – 2 Nos  
Vertical turbine pumpset
  
- 7 Treatment Plant : 250 mm AC – 2540 m  
: 2.50 mld capacity with Aerator, Sedimentation Tank  
Chlorinator  
  
Pump sets : 75 HP -2200 lpm x 85m head - 2 Nos  
HSC pump set ( 1 No standby )
- 8 Transmission Main
  - a Pumping Main : 250mm AC CI 20 / 15 Pipes – 19.92 Km
  
  - b Gravity Main : 200mm AC CI 15 Pipes - 8.54 Km
  
- 9 Booster Stations : 2.00 LL – sump – 2 Nos  
1.50 LL – sump - 1 No  
1.00 LL – sump – 6 Nos

0.30 LL - sump - 4 Nos  
0.10 LL - sump - 2 Nos  
10 Feeder Main : 140 mm -50 mm OD PVC Pipes - 164.649 Km  
  
11 Service Reservoir : 0.60 LL - 18 Nos  
0.30 LL - 74 Nos  
0.15 LL - 5 Nos  
0.10 LL - 13 Nos

# CWSS TO KAVERRIPURAM AND OTHER WAYSIDE HABITATIONS (142 HABS) IN KOLATHUR UNION OF SALEM DISTRICT FLOW DIAGRAM



**SUMPS**

|              |               |
|--------------|---------------|
| 2.00 LL      | 2 Nos         |
| 1.50 LL      | 1 No          |
| 1.00 LL      | 6 Nos         |
| 0.30 LL      | 4 Nos         |
| 0.10 LL      | 2 Nos         |
| <b>Total</b> | <b>15 Nos</b> |