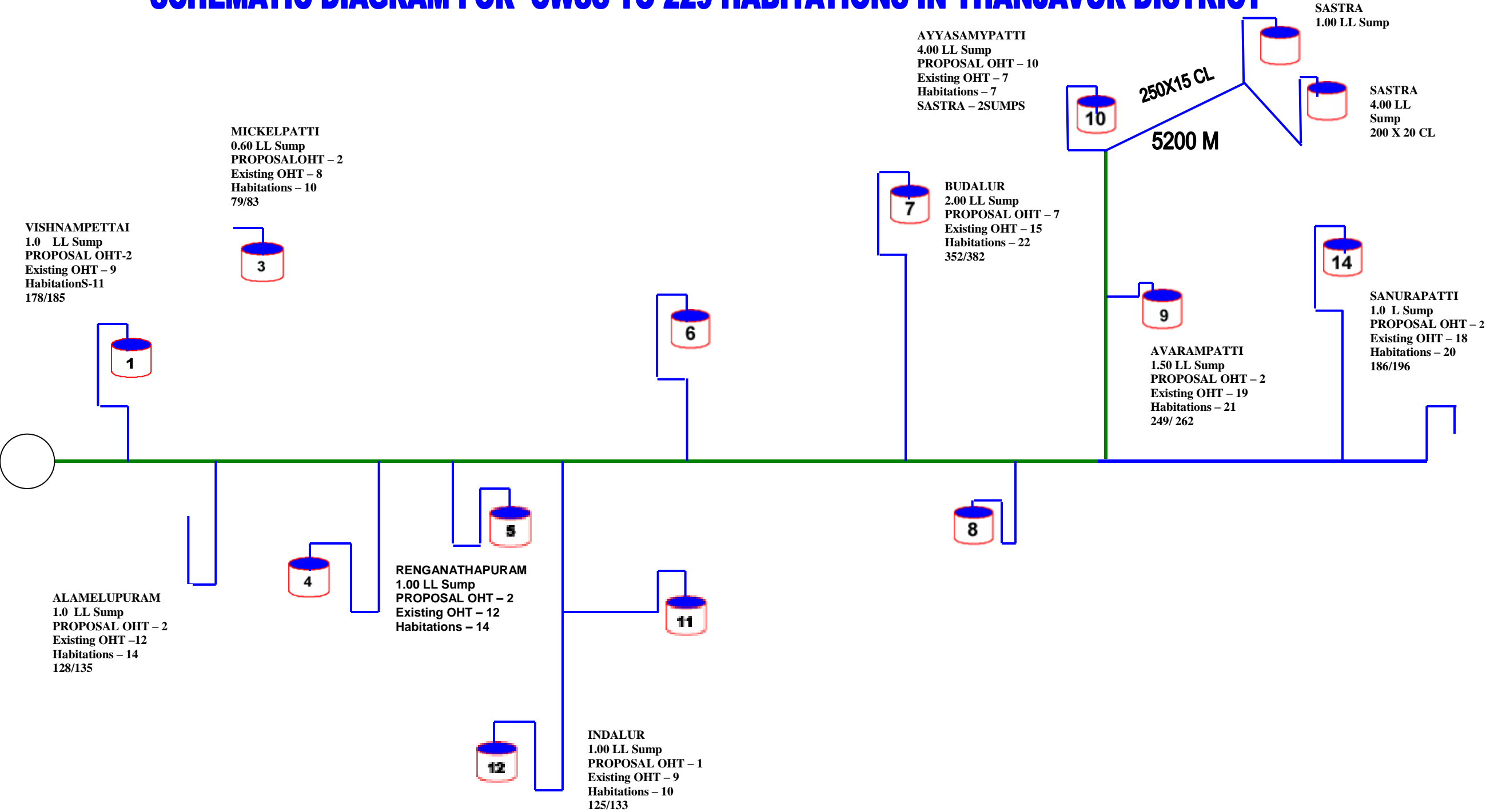


# SCHEMATIC DIAGRAM FOR CWSS TO 229 HABITATIONS IN THANJAVUR DISTRICT



**Cwss to 229 habitations in Budalur, Thiruvaiyaru and Thanjavur unions and SASTRA University in Thanjavur District.**

**SALIENT**

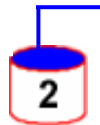
**DETAILS**

Administrative Approval	:	Rs. 28.47 Crores
Technical Sanction Amt	:	Rs 28.93 Crores.
Proportionate cost of SASTRA University	:	Rsa. 5.03. Crores
<b>POPULATION</b>	:	
Census (2001)		104147
Present (2010)		109768
Intermediate (2025)		120765
Ultimate (2040)		131716
Per capita Supply		For PC habitation 69 nos-24.21 Lpcd, For FC habitation 119 nos-19.83 Lpcd, For New habitations-22 nos and NSS habitatin-19 nos-40Lpcd and SASTRA University Daily supply 8.00 Lakhs Litres.
Hourse of pumping		20 Hours @ Head works To Group Sumps 12 Hours @ Group Sumps To OHTs
<b>REQUIREMENT</b>		
Intermediate (2025)	:	4.20 MLD
Ultimate (2040)	:	4.427 MLD

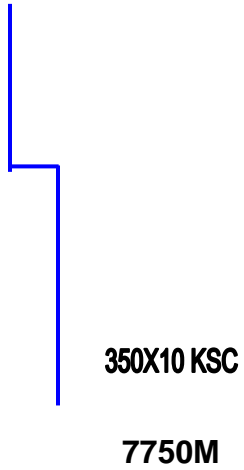
Source	:	Collector well for cwss to 706 habitation in Pudukottai District common source for this CWSS to 229 Habitations in Thanjavur District
PUMPSET	:	Sumersible pumpset 75 HP of duty 3506 1mpx61m head
PUMP ROOM AT HEAD WORKS	:	3mx3m-1 no at Head works @ Manalmedu
PUMPING MAIN		350MMpsc 10Ksc 7750m, 350PSC 8Ksc 14548m, 250mm AC C115-10452m
BRANCH PUMPING MAIN		250 mm Ac C115 pipe TO 63 mm OD PVC pipes-27313m
GROUP SUMPS		4.00LL-2nos.2 .00LL-3nos, 1.50LL-2 Nos, 1.00LL-7nos, 0.60LL-2nos (Total-16 nos)
PUMP ROOM		3mx3m Size 13 nos and 1.50mx1.50m Size 1 no.
PUMP SETS AND RURAL HABITATIONS		Submersible pump sets 1HP to 4 HP-35 nos (100% Standby) Submersible pumpset 20HP-1 no (100% Standby) Various duty and Head

FEEDER MAINS FOR SERVICE RESERVOIRS	:	250 mm AC CI 15 pipe to 32mm GI Pipe-283.43Km
SERVICE RESERVOIRS	:	Existing-182 nos New OHTs-24 nos 30000 Litres-17 nos, 10000 Litres-7 nos
Distribution system		63mm OD PVC 4 KSC pipe:29km
Public fountains	:	139 nos
Per capita cost (2010)	:	Rs. 2595/
Cost per 1000 litres Intermediate	:	Rs. 23.16/

**HEAD WORKS**  
C.W 3889/3506



NEMAM  
1.0 LL Sump  
PROPOSAL OHT – 3  
Existing OHT-8  
Habitations – 11  
187/202

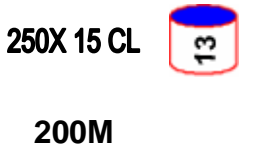
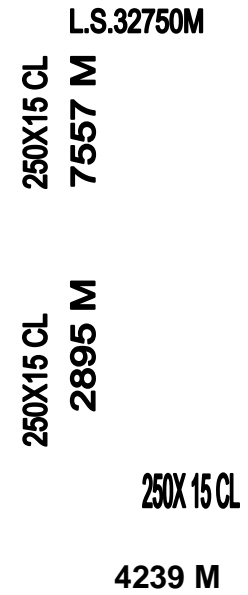


BUDARAYANALLUR  
0.60 LL Sump  
PROPOSAL OHT – 1  
Existing OHT – 9  
Habitations – 10  
74/78

350X 8 KSC  
14548 M

MEGALATHUR  
1.5 LL LL Sump  
PROPOSAL OHT -0  
Existing OHT – 19  
Habitations – 10  
244/262

PUNGANUR  
2.00 LL Sump  
PROPOSAL OHT – 1  
Existing OHT – 25  
Habitations – 26  
314/334



MANAIERIPATTY  
2.00 LL Sump  
PROPOSAL OHT – 1  
Existing OHT – 33  
Habitations – 34  
410/ 431